

|             |   |
|-------------|---|
| Number      | 24-002938-PR03 (NW-H01-06-en-01)  |
| Owner       | LUOYANG LANDVAC Ti-VIG CO.,LTD<br>Building 1 at the northwest corner<br>of the intersection between Keji Av. and Zhuge St.<br>YIBIN DISTRICT Luoyang City, Henan Province<br>China  |
| Product     | Vacuum insulating glass   |
| Designation | Shipping name: Vacuum insulating glass – Ultra Clear<br>US1.10  |
| Details     | Manufacturer LUOYANG LANDVAC Ti-VIG CO., LTD -<br>Luoyang City, Henan Province; Overall dimensions (W x H)<br>500 mm x 500 mm; Glass configuration 4 mm / 0.3 mm / 4 mm;<br>Coating, type Low-E; Coating, position Pos. 2; Coating, emissivity 0.05<br>(Information by client); Vacuum <0.1 Pa (Information by<br>client); Spacer / Edge seals Material Flexible metal material<br>(Information by client); Distance pieces; Distance 55 mm x<br>55 mm (regular grip); Diameter 0.55 mm; Height 0.3 mm; Material<br>Titanium-containing stainless steel (Information by client) |

Special features

## Result

Determination of the thermal transmittance according to  
ISO 19916-1:2018-10



$$U = 0.49 \text{ W}/(\text{m}^2\text{K})$$

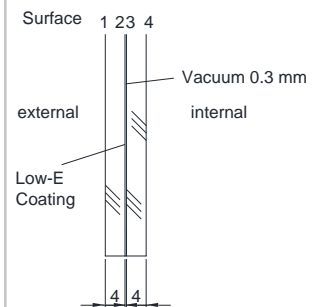
## Basis \*)

EN 674:2011-06

ISO 19916-1:2018-10

\*) and corresponding national versions  
(e.g. DIN EN)Test report: 24-002938-PR03  
(PB-H01-06-en-01)

## Representation



## Instructions for use

The results obtained can be used  
as evidence in accordance with  
the above basis.

## Validity

There is no time limit.

When using this document the up-  
to-dateness of above basis and  
the conformity of the product have  
to be observed.

The data and results given relate  
solely to the tested/described  
specimen. This test/evaluation  
does not allow any statement to  
be made on further characteristics  
of the present structure regarding  
performance and quality.

## Notes on publication

The ift-Guidance Sheet  
"Conditions and Guidance for the  
Use of ift Test Documents"  
applies.

ift Rosenheim

07.03.2025



Konrad Huber, Dipl.-Ing. (FH)  
Head of Testing Department  
Building Physics



Stefan Junker, Dipl.-Ing. (FH)  
Operating Testing Officer  
Building Physics

## Identity-Check



[www.ift-rosenheim.de/ift-geprueft](http://www.ift-rosenheim.de/ift-geprueft)  
ID: C34-192B6